

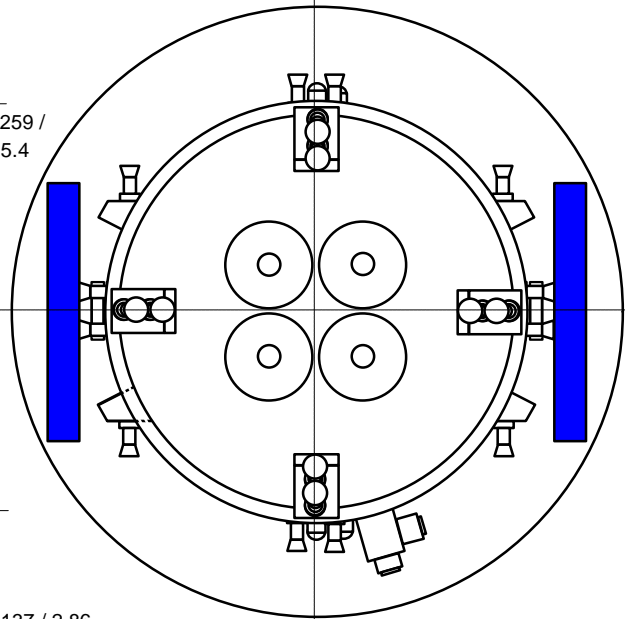
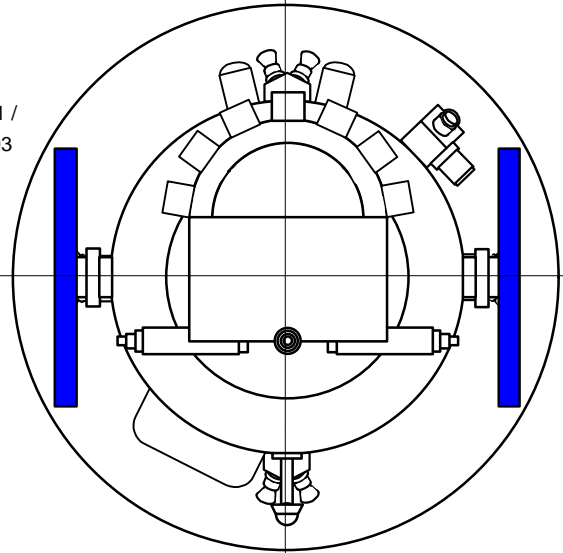
193 / 4.02

241 / 5.03

217 / 4.51

259 / 5.4

137 / 2.86



SHENZHOU - Shroud configuration

Drawn by : Vincent MEENS

Date : May 2003

Scale : 1 / 1/48 (cm)