

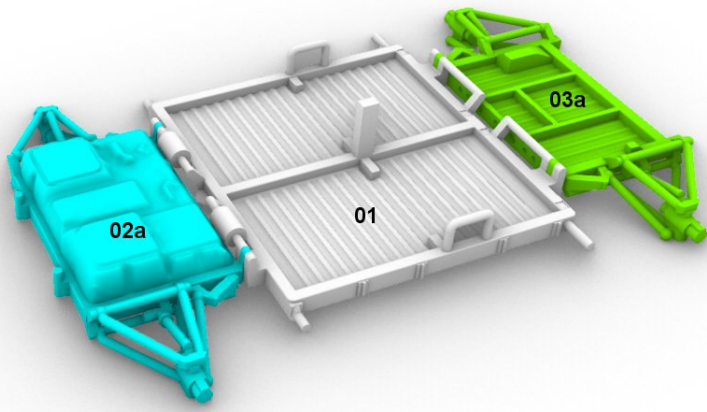
Apollo 15 to 17 Lunar Rover

For further information on building this model check

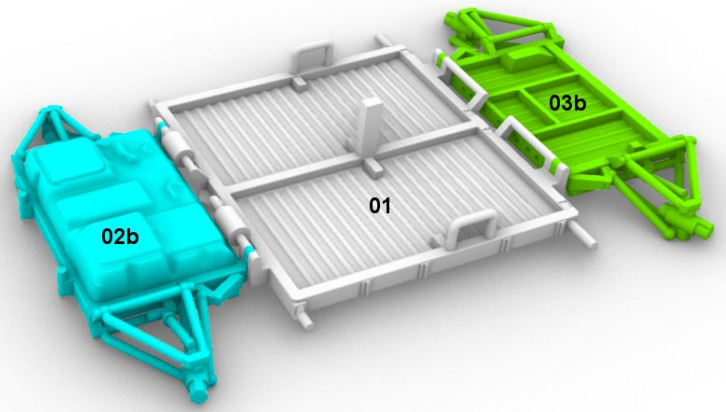
1/32- 1/24 LRV : <http://spacemodels.nuxit.net/1-32%20LM/LRV30a.html>

Astronauts are designed by Max Grüter and are available on cgtrader : <https://www.cgtrader.com/3d-print-models/miniatures/figurines/apollo-lunar-rover-crew>

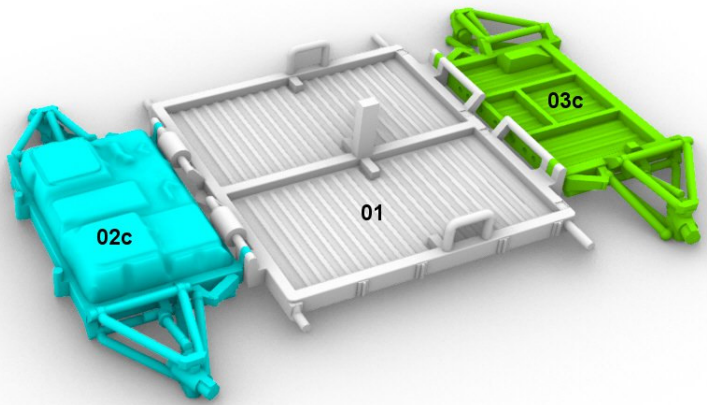
All parts are also available on Shapeways :
<https://www.shapeways.com/shops/spacemodels?section=1%2F48+Lunar+Rover&s=0>



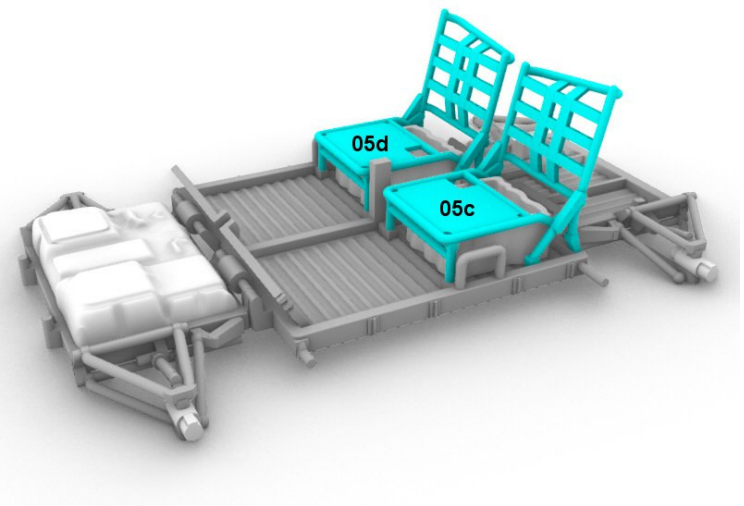
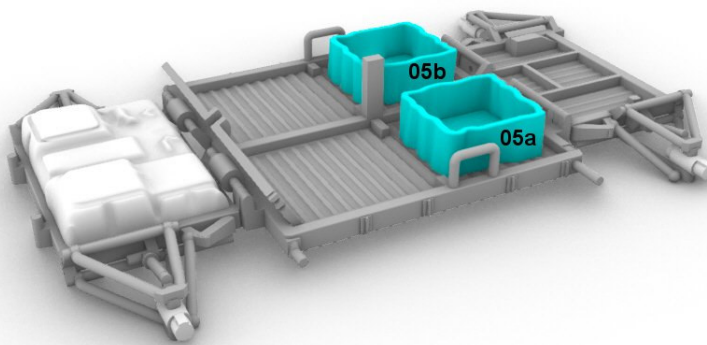
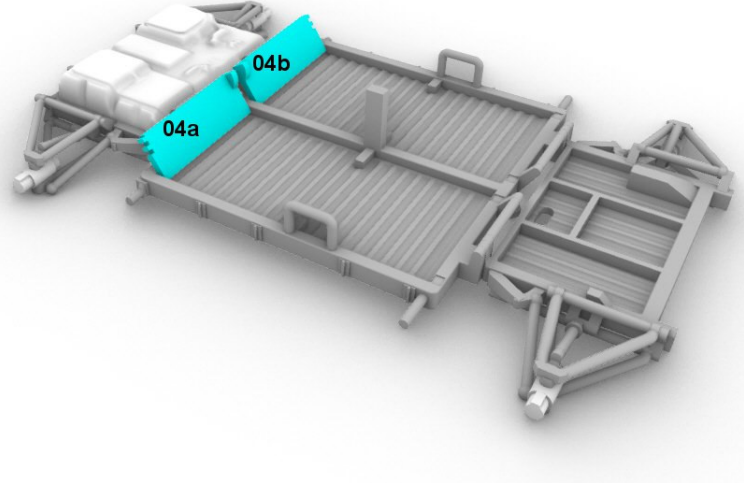
LRV going straight.



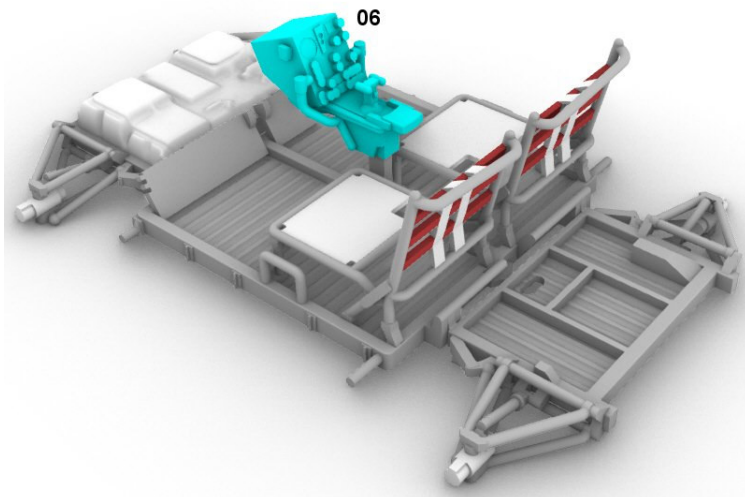
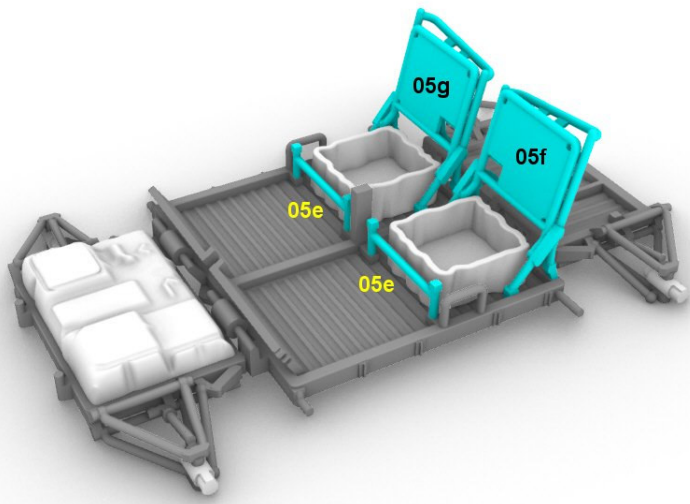
LRV turning right.



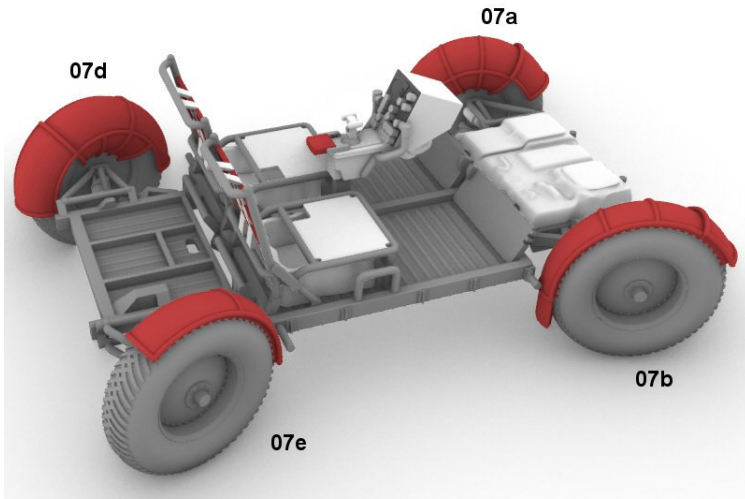
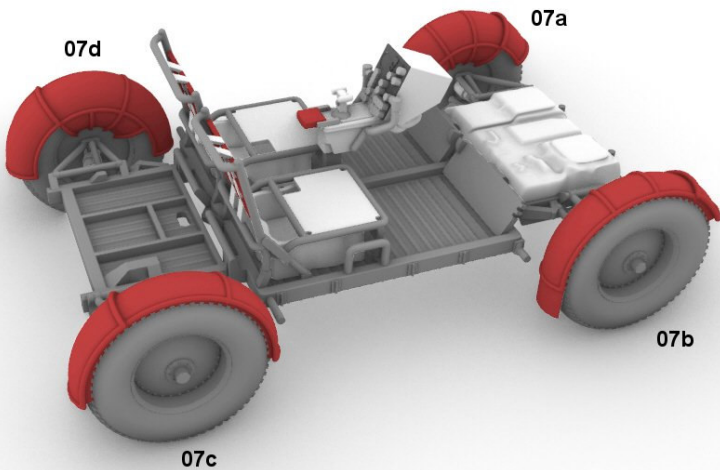
LRV turning left.



In this configuration the seats will be closed.

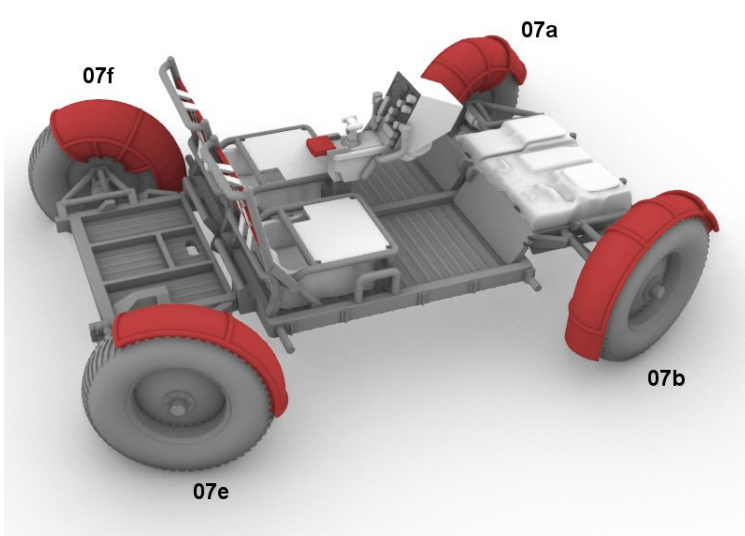
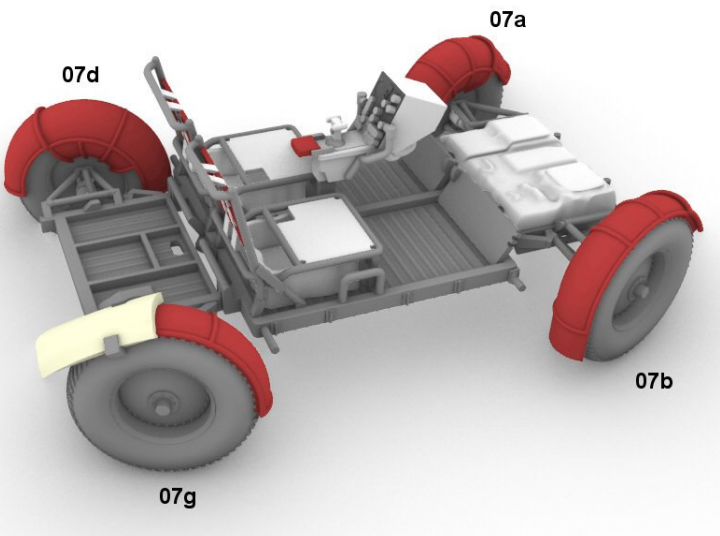


In this configuration the seats will be open, of course you can choose to have a combination of both closed and open seats.



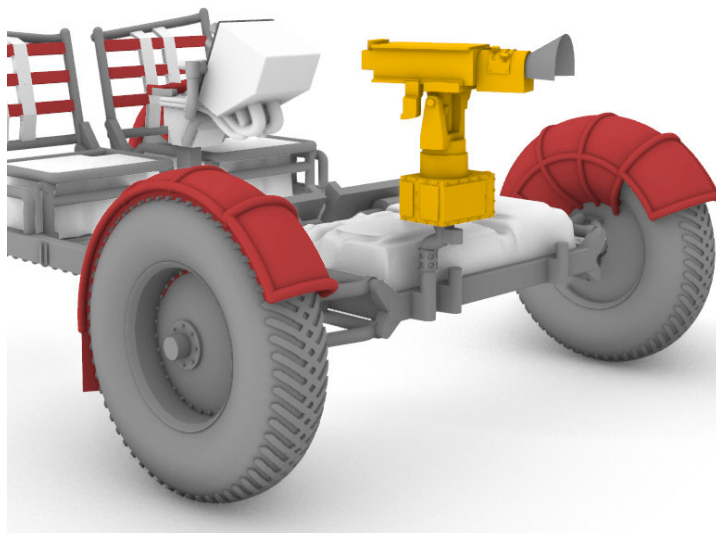
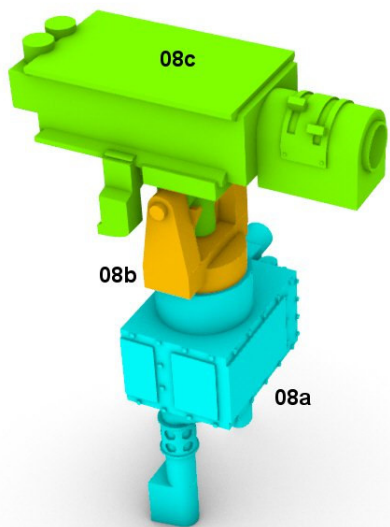
Wheel configuration valid for Apollo 15, Apollo 16 EVA 1 & 2, Apollo 17 EVA 1.

Wheel configuration valid for Apollo 16 EVA 3.

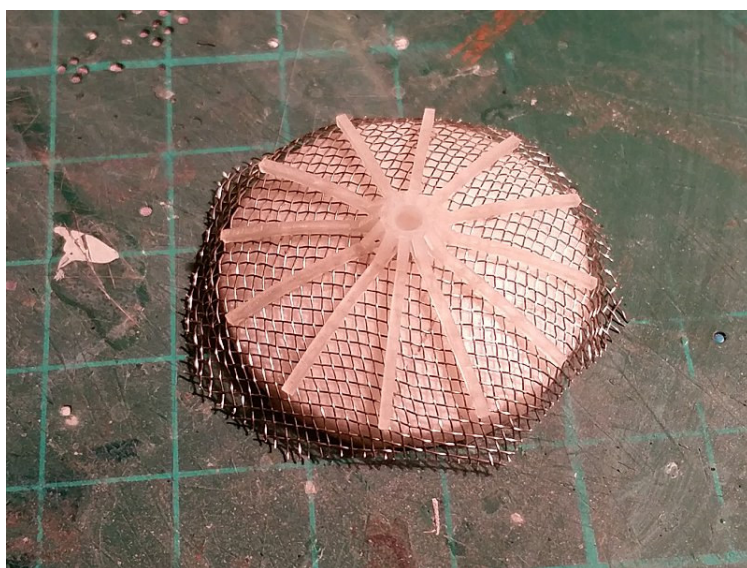
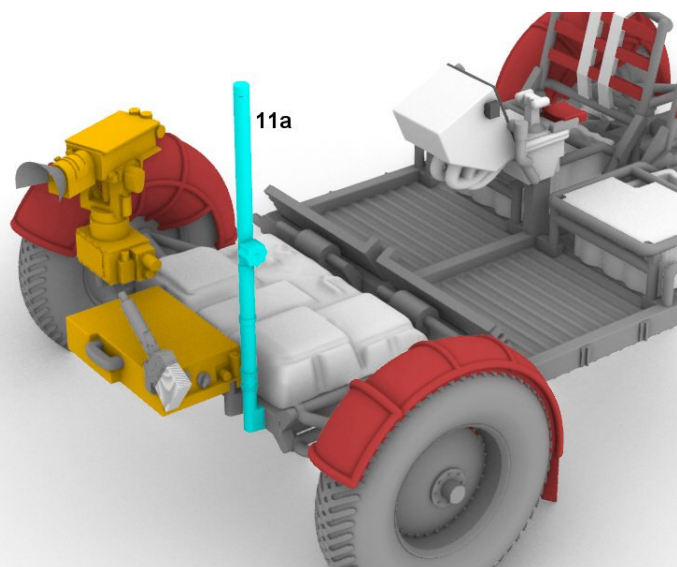
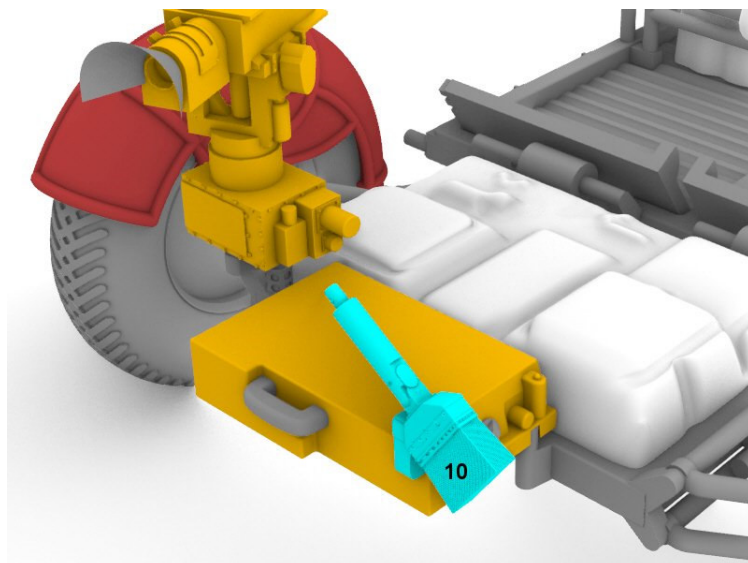
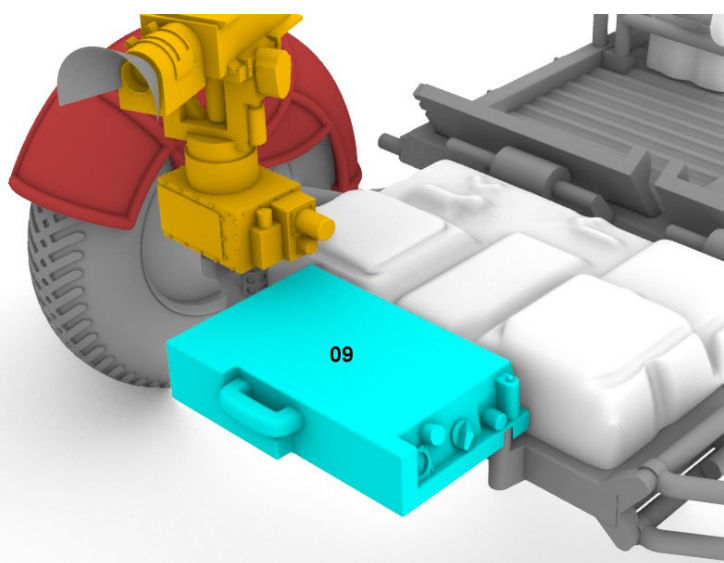


Wheel configuration valid for Apollo 17 EVA 2 & 3.

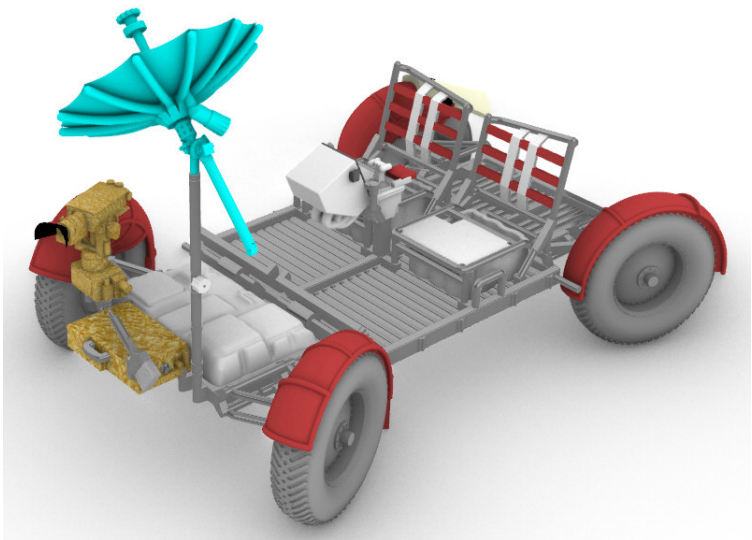
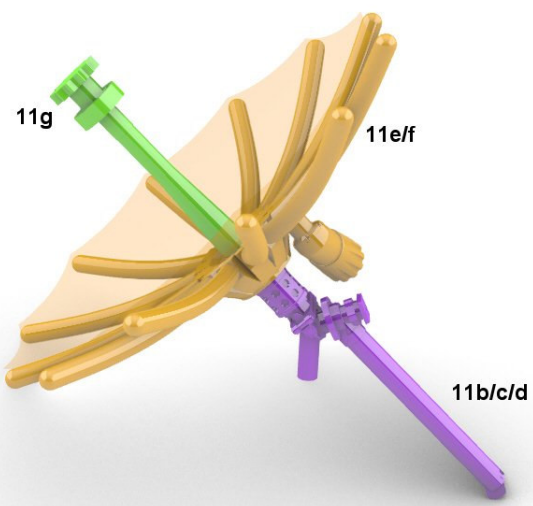
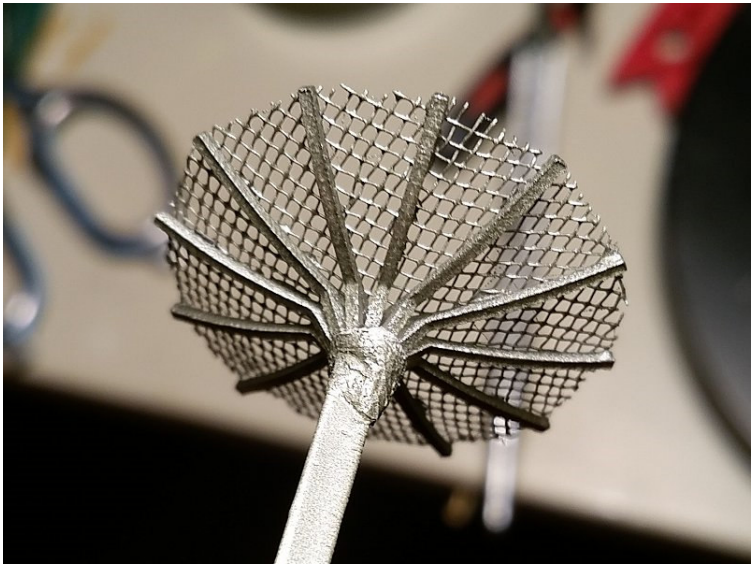
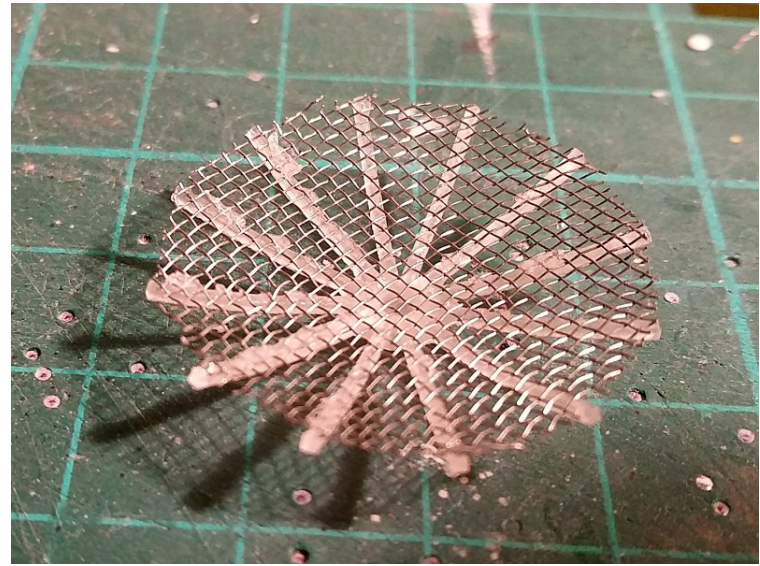
Wheel configuration valid for Apollo 17 before LM liftoff.



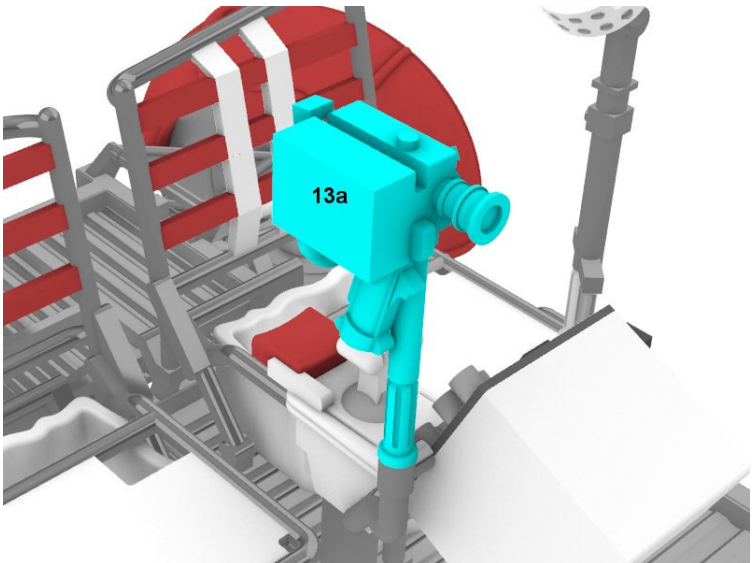
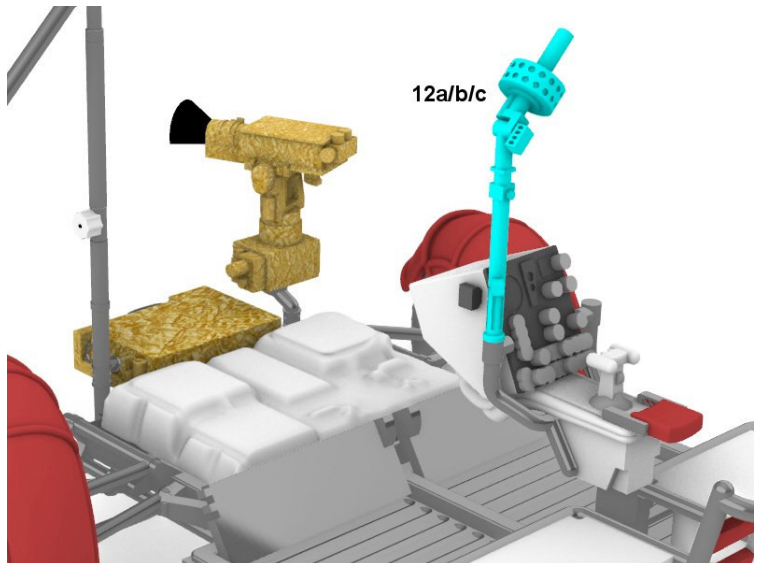
The sun shade is made out of paper and is only present on Apollo 16 and Apollo 17 LRVs (see LRV-TV camera sun shield.pdf).



To shape the antenna mesh you can use part 11h as a pattern, the antenna structure (parts 11e or 11f will then be glued on the mesh).

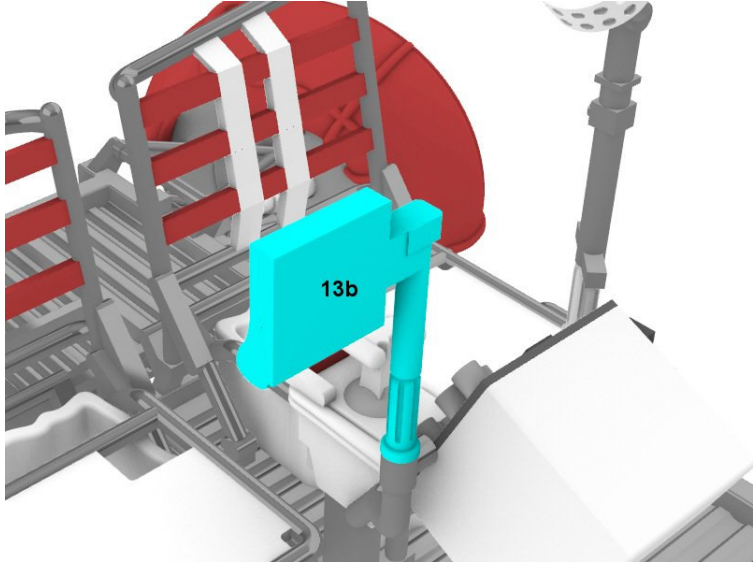


Parts 11b & 11e for Apollo 15, 11c & 11e for Apollo 16, 11d & 11f for Apollo 17.

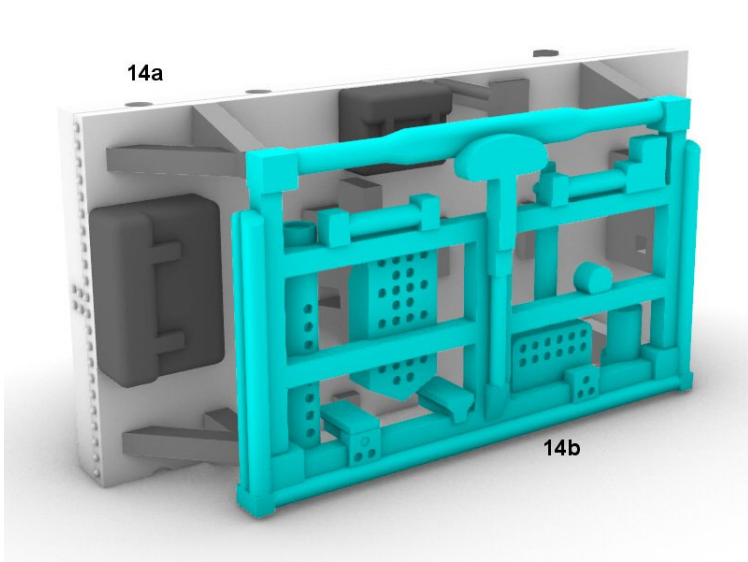


Parts 12a for Apollo 15, part 12b for Apollo 16, part 12c for Apollo 17.

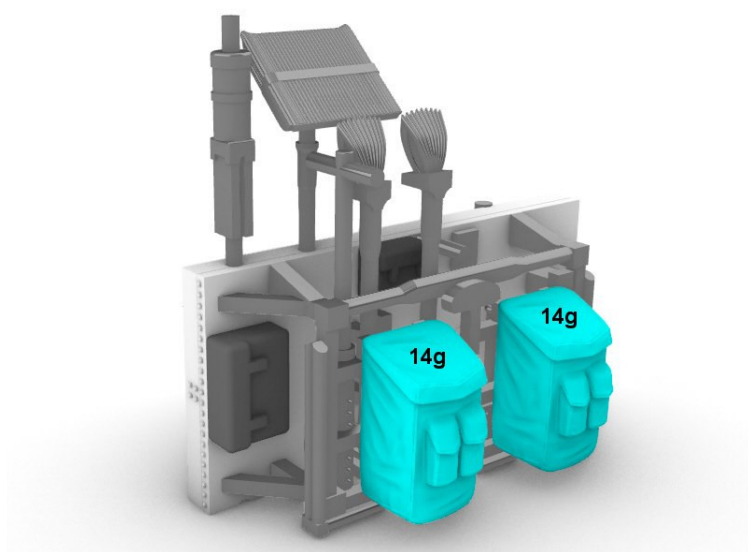
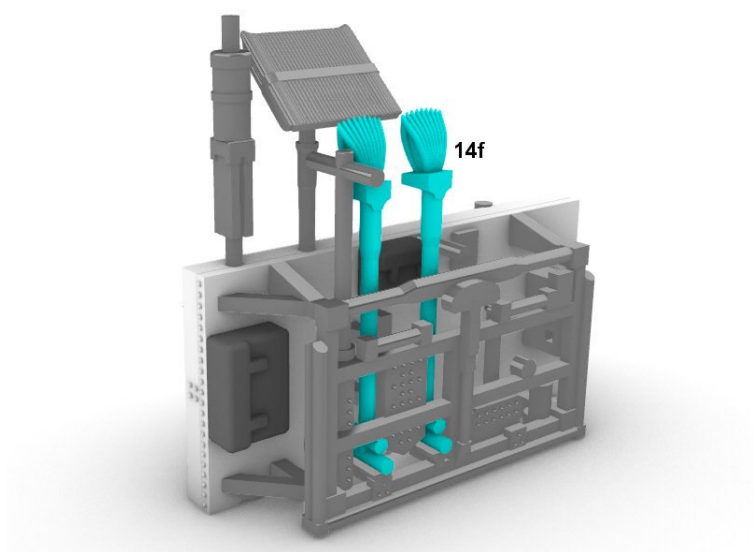
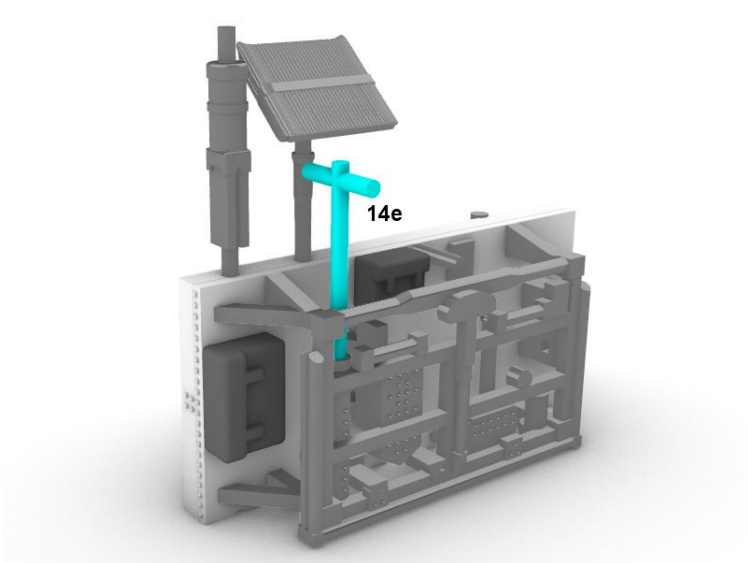
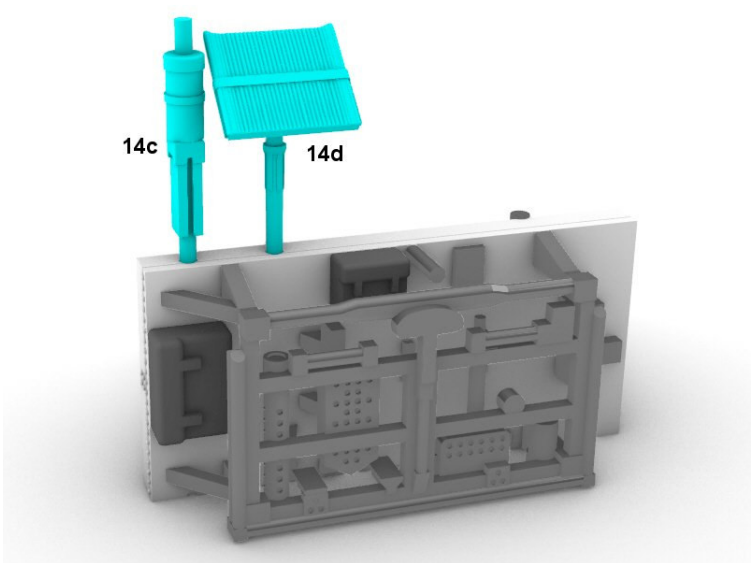
Part 13a is for Apollo 15 and 16.

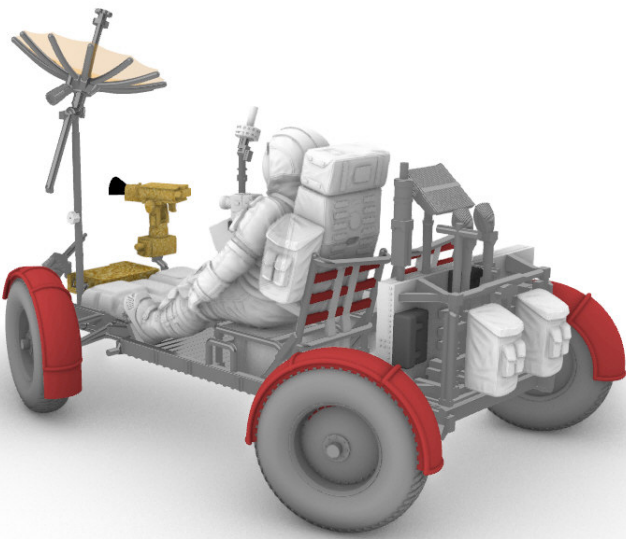
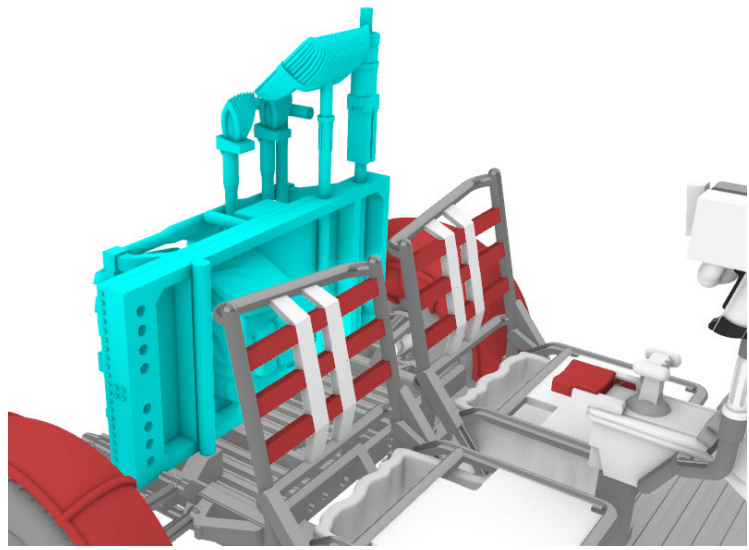
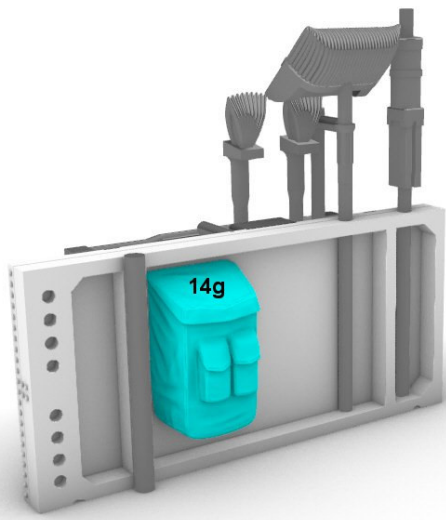


Part 13b is for Apollo 17.

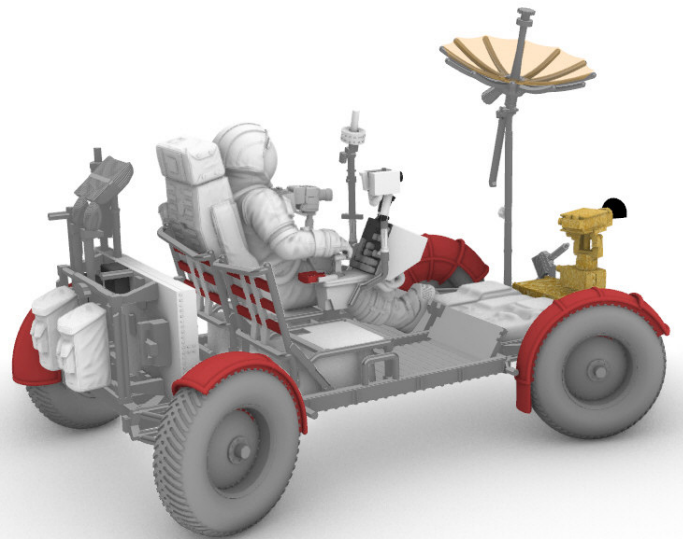


Aft pallet instructions for Apollo 15 and 16.

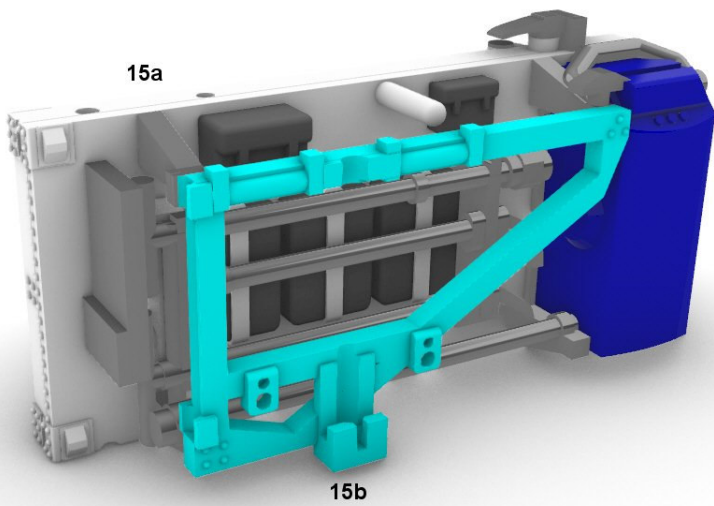




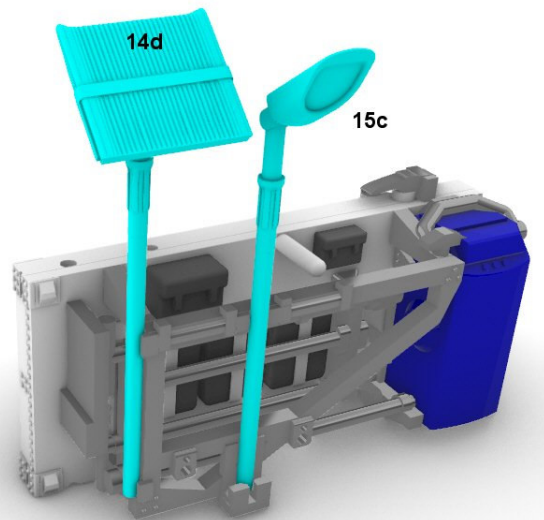
Apollo 15 LRV.

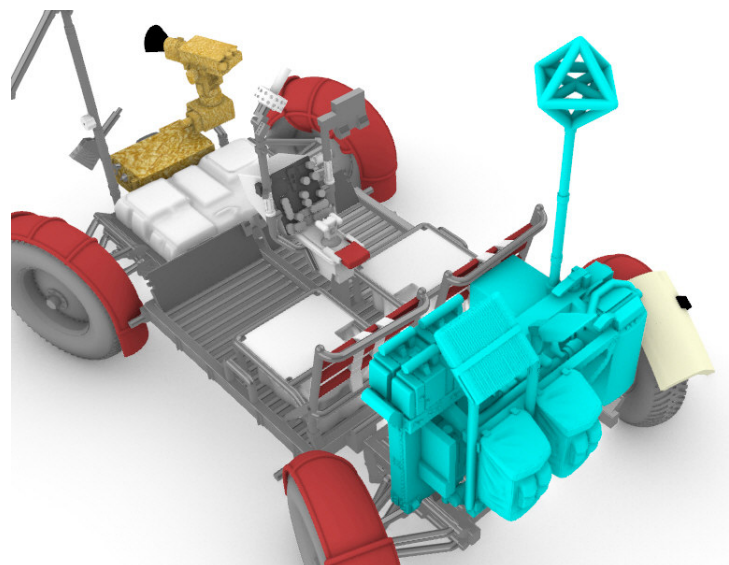
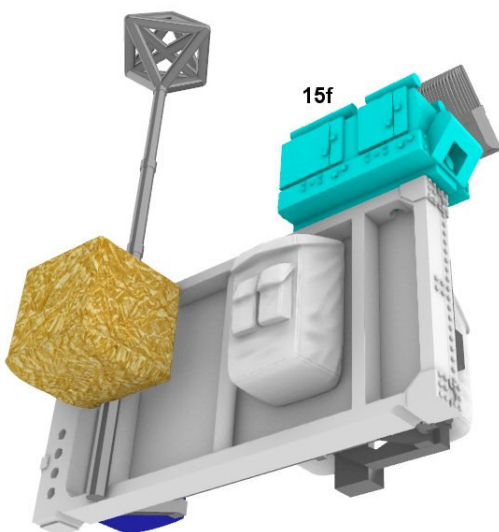
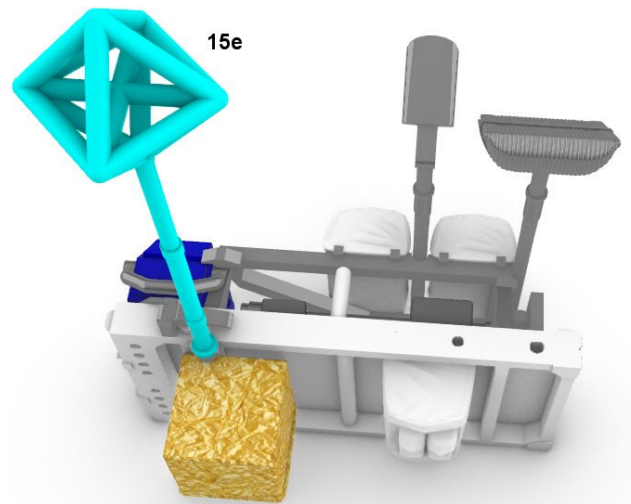
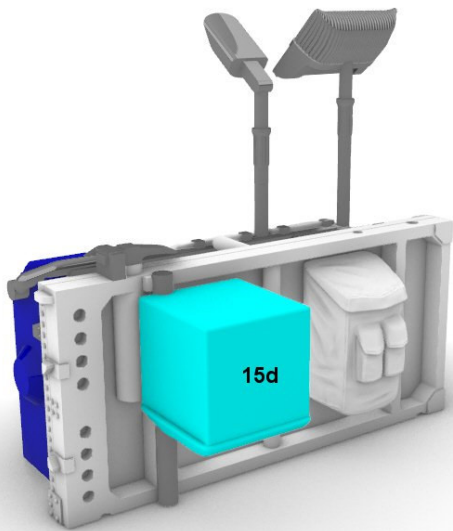
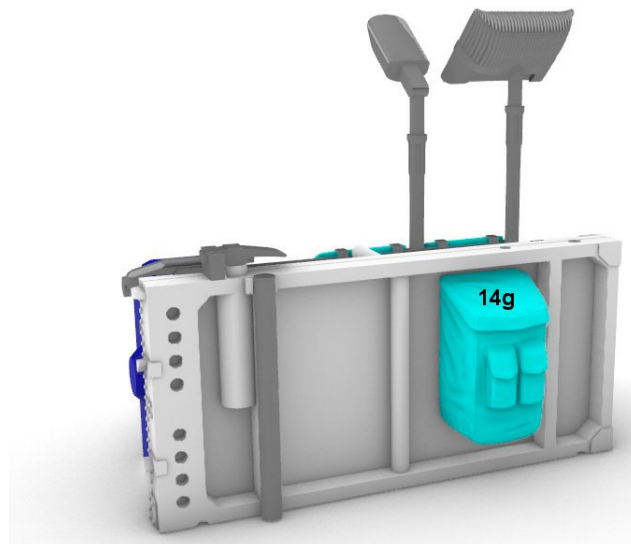
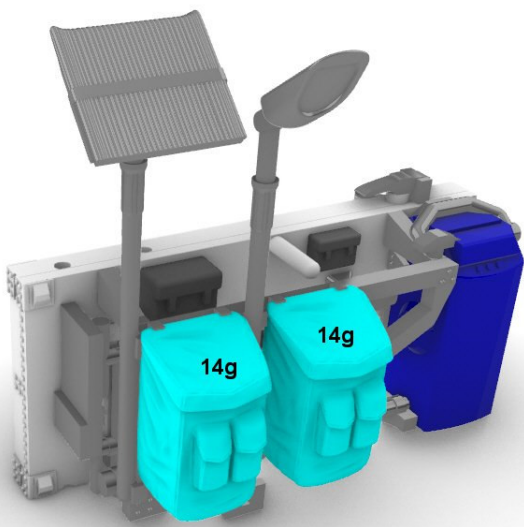


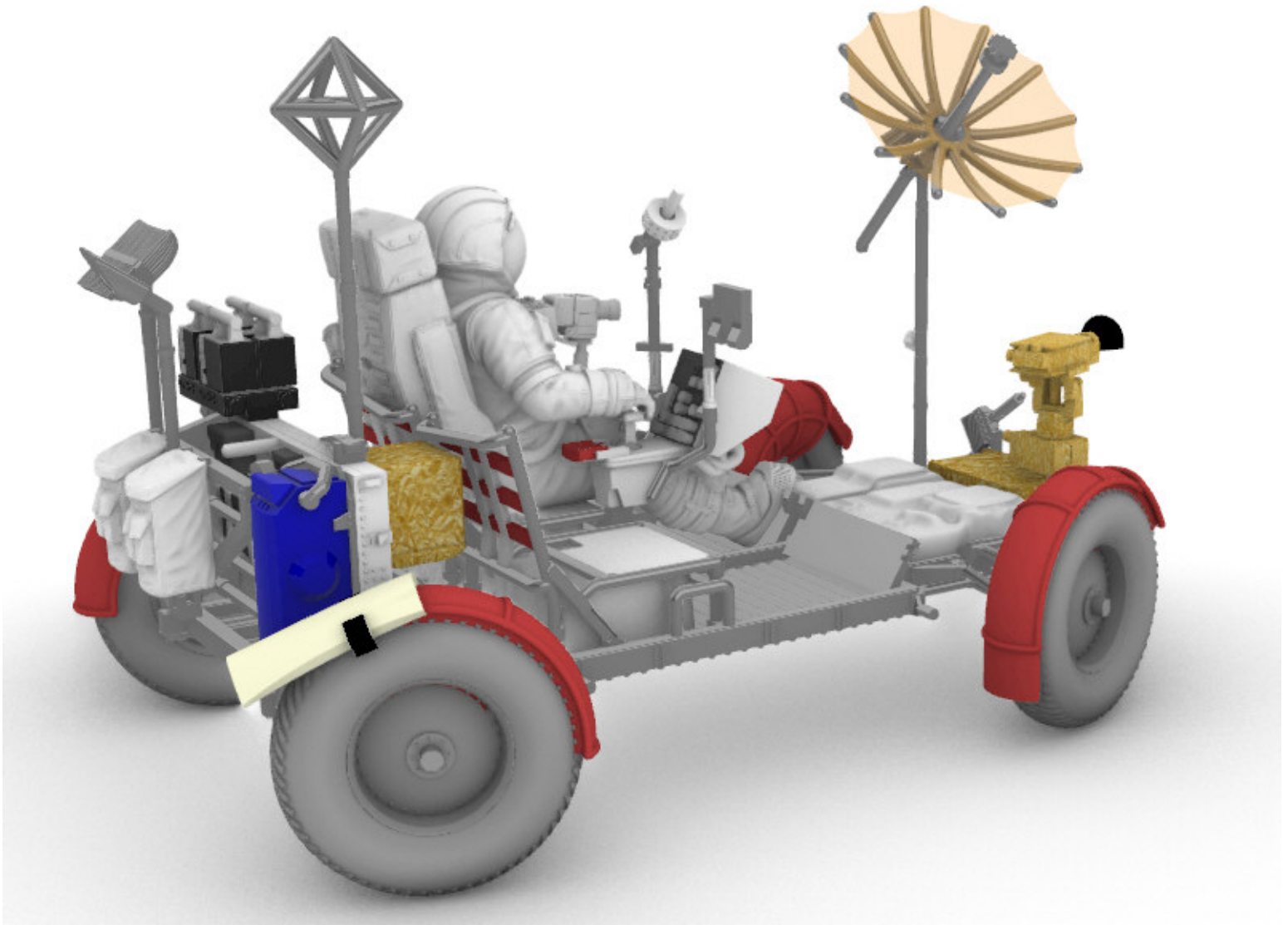
Apollo 16 LRV.



Aft pallet instructions for Apollo 17.







Apollo 17 LRV.