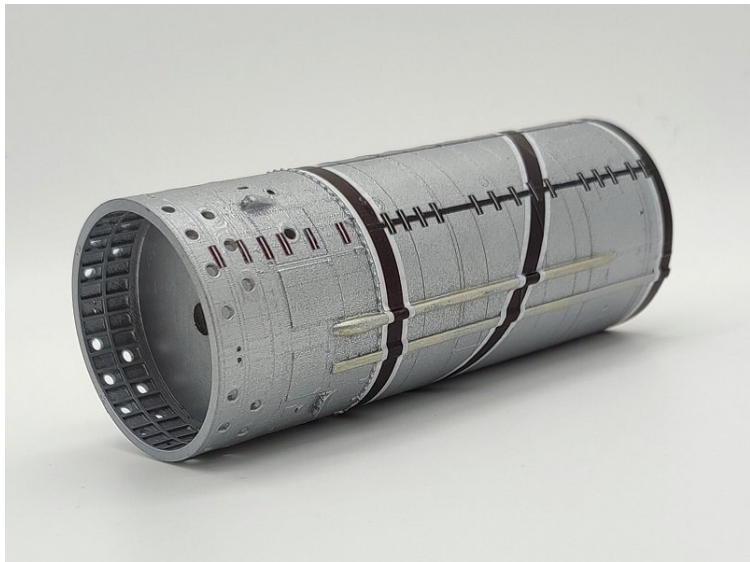
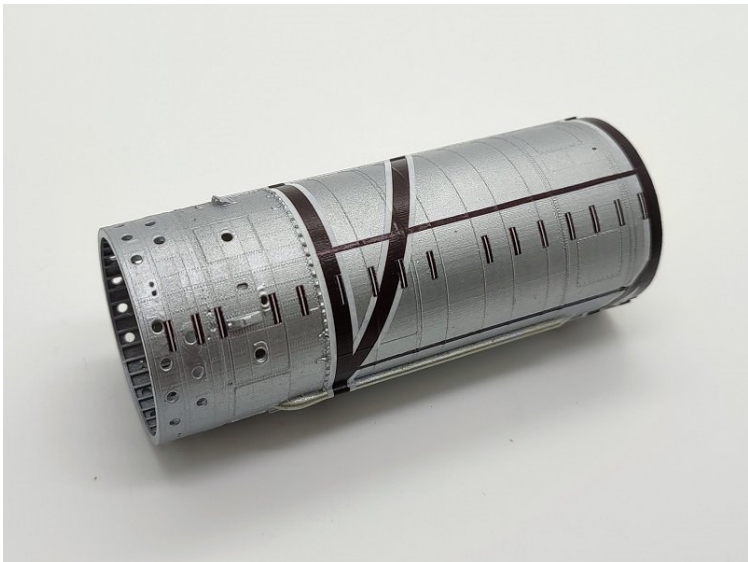


Black Arrow (cutaway model)

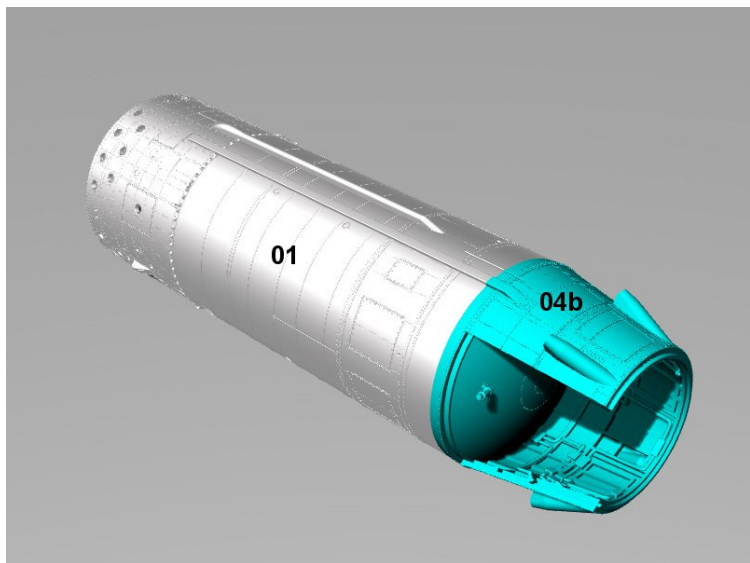
Scale 1/48

For further information on building this model check

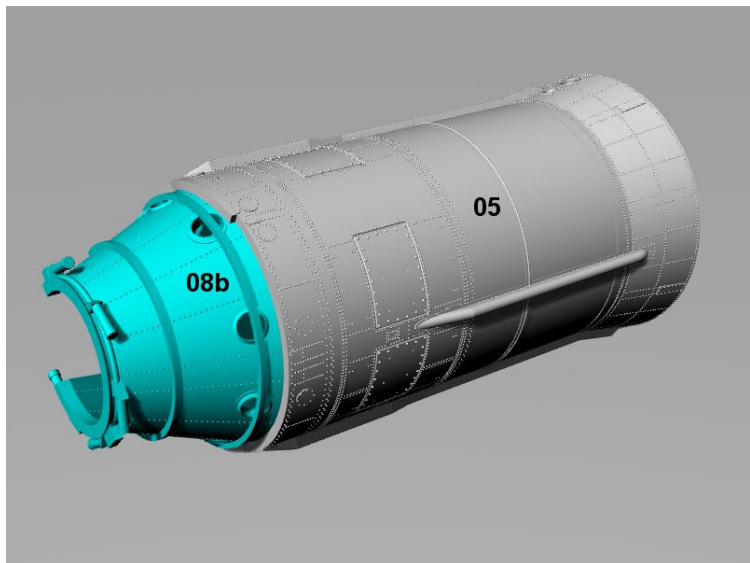
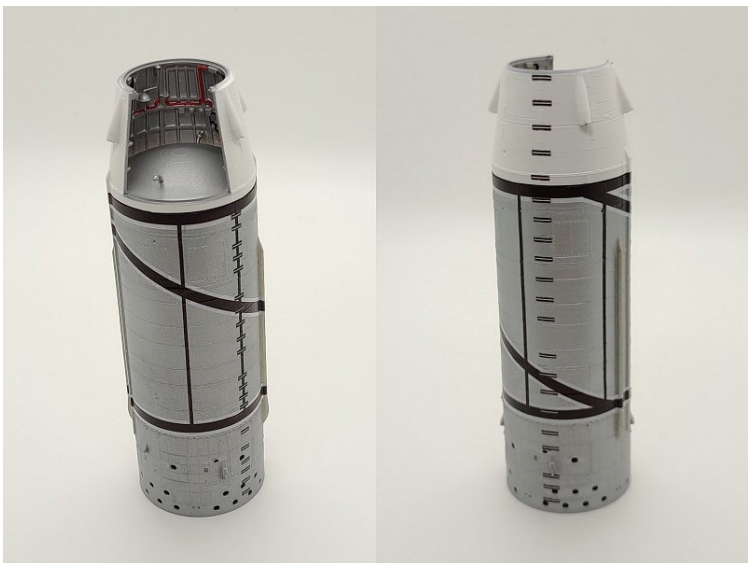
[http://spacemodels.nuxit.net/1-48 Black Arrow/index.html](http://spacemodels.nuxit.net/1-48%20Black%20Arrow/index.html)

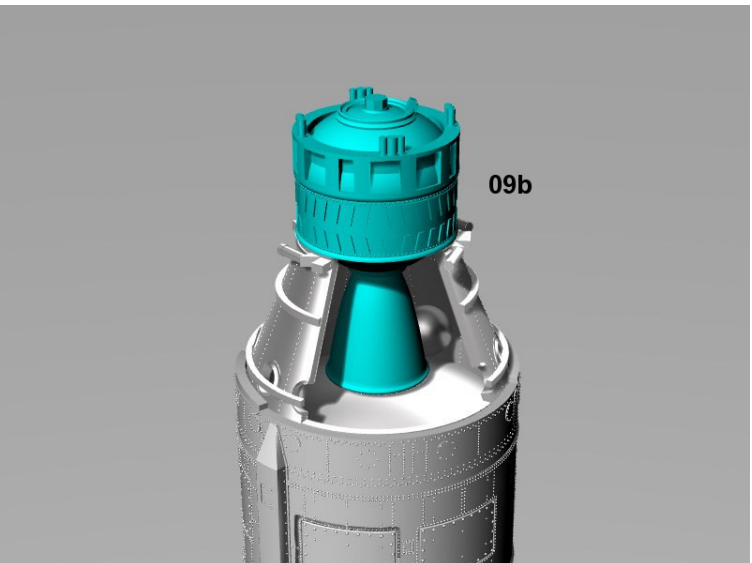
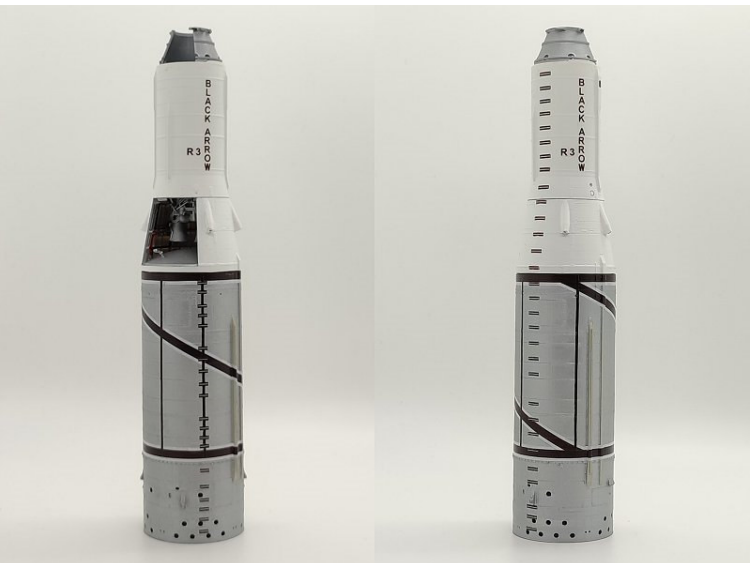
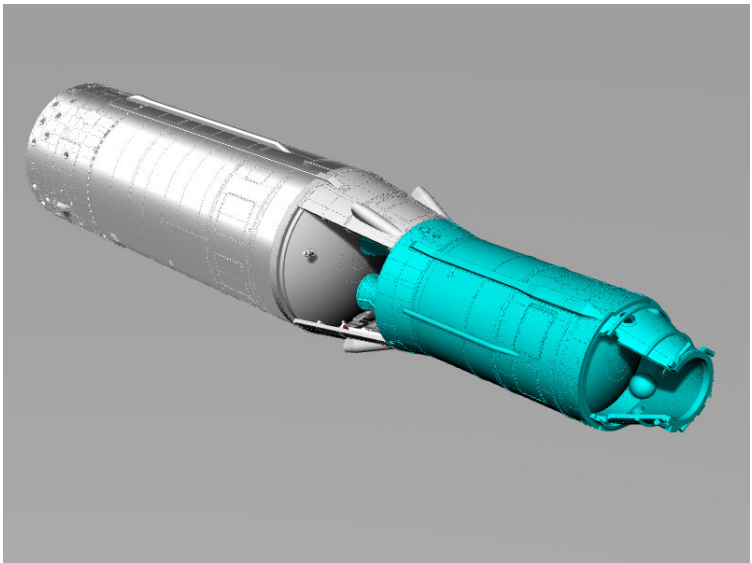
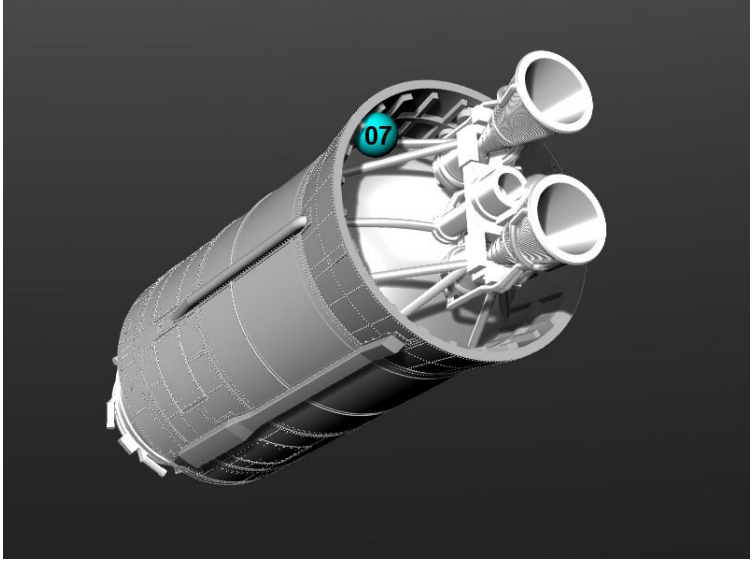
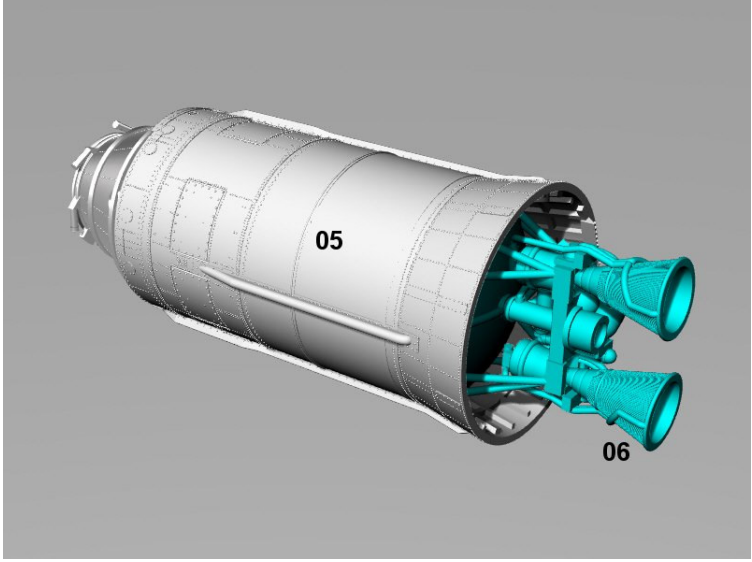


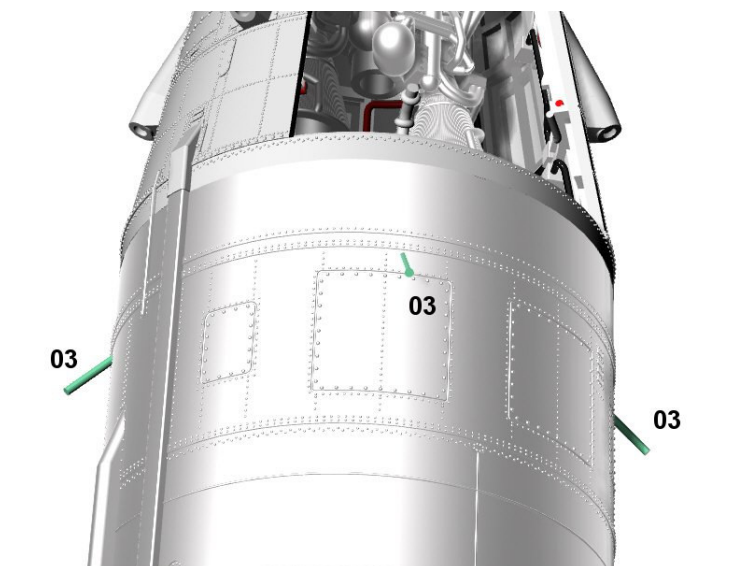
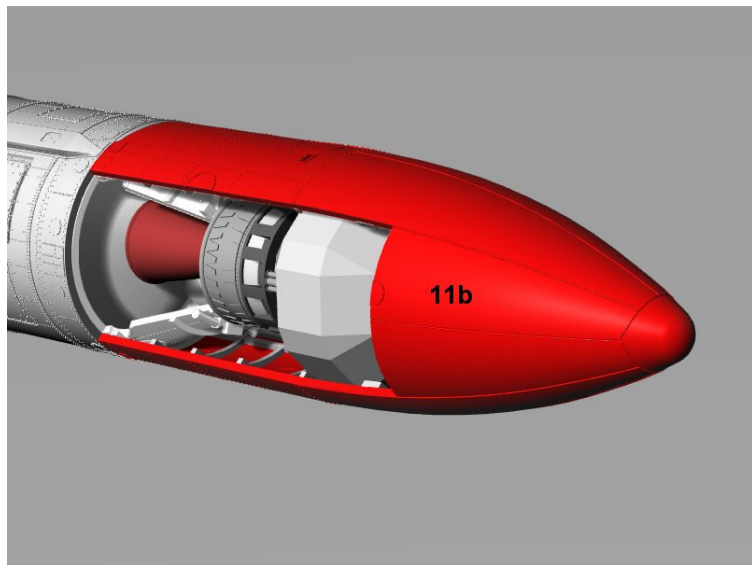
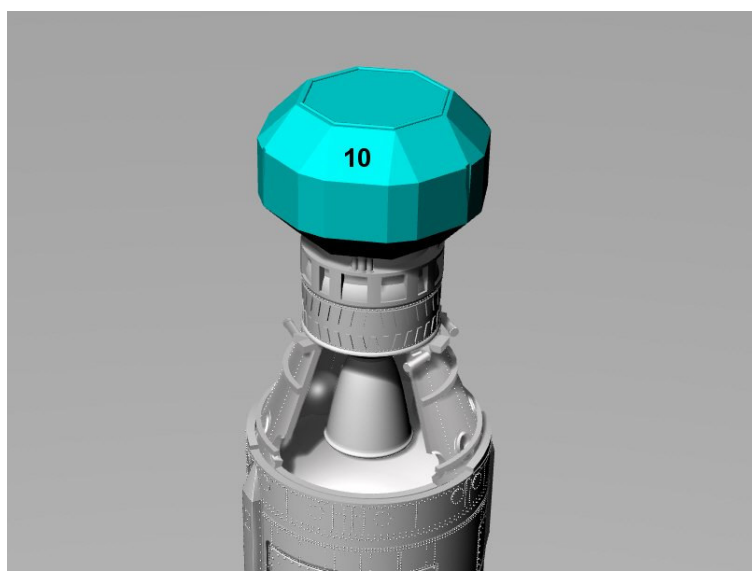
Part 01 (first stage) is painted with Tamiya TS-76 (Mica Silver) before decals application



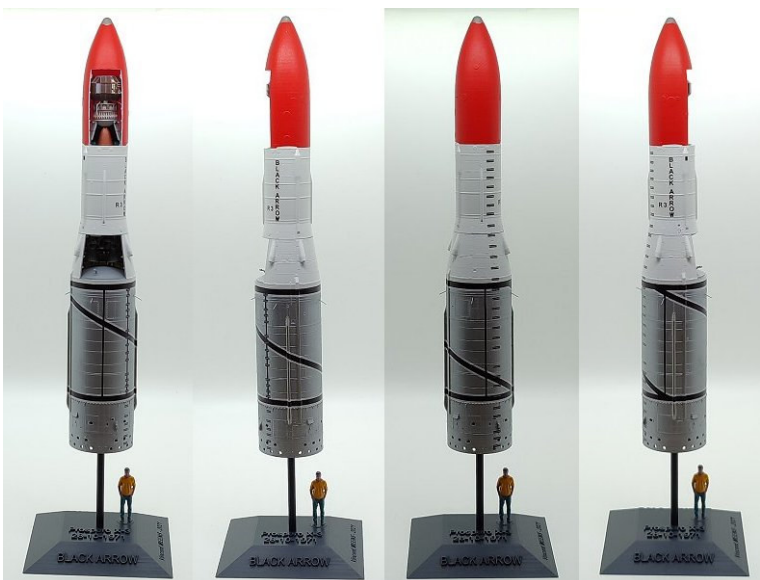
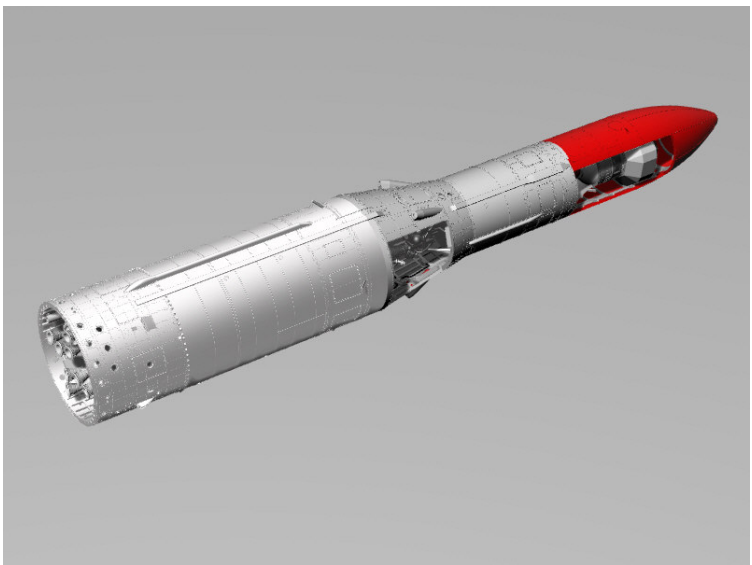
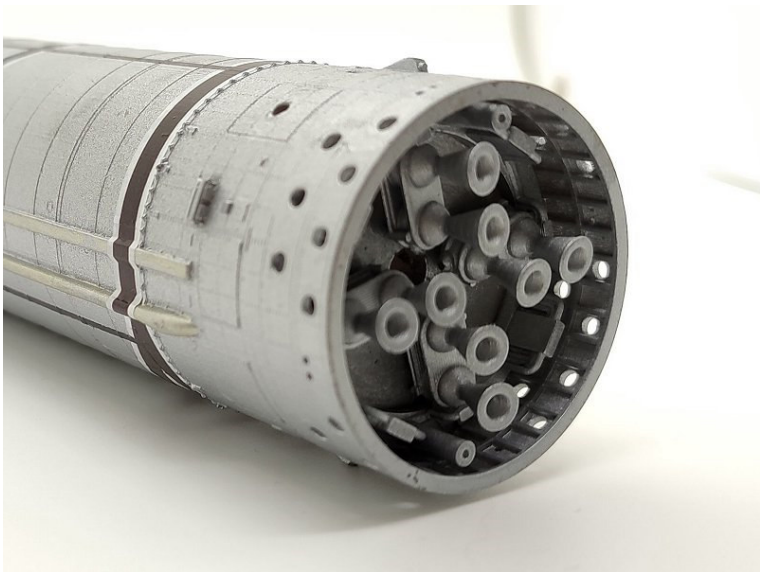
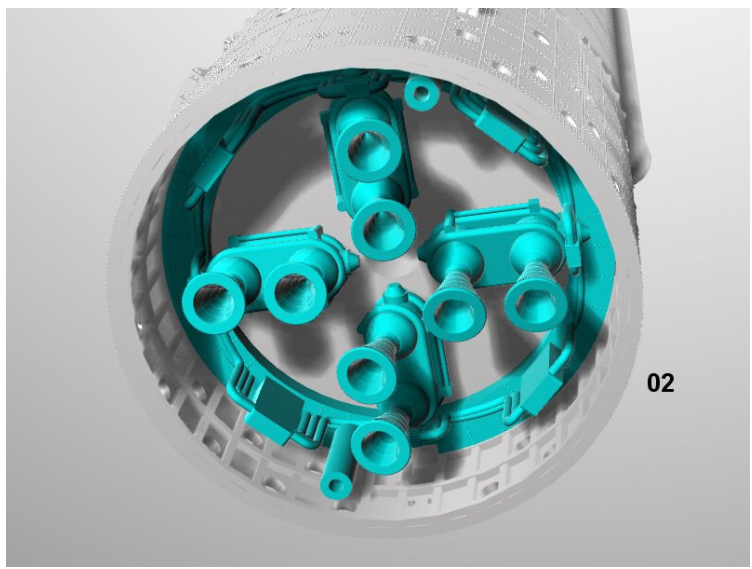
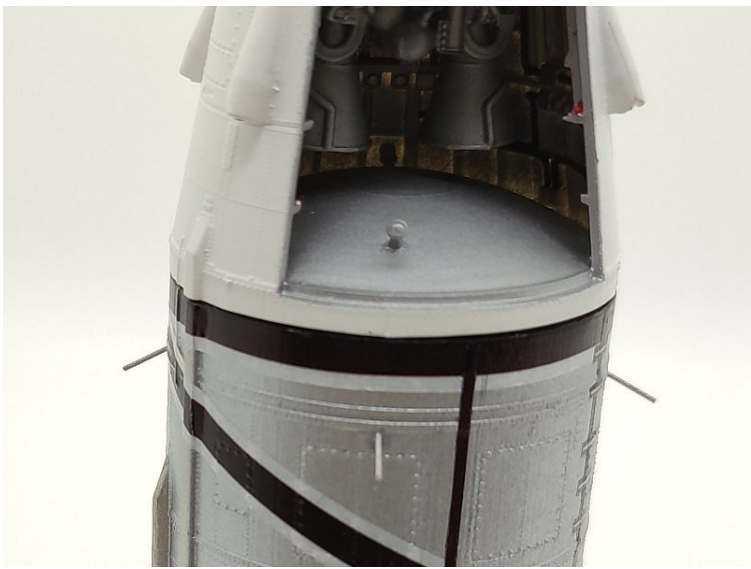
Part 04b (interstage between the first and second stages) is painted satin white outside and bare-metal silver inside (Tamiya AS-12) before decals application.







The antennas are attached to the first stage, resin parts can be replaced by thin wires

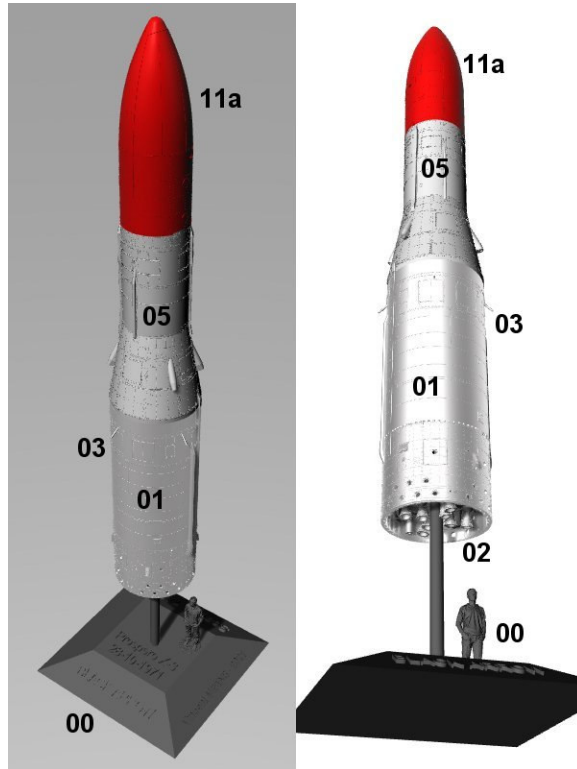


Black Arrow (non-cutaway model)

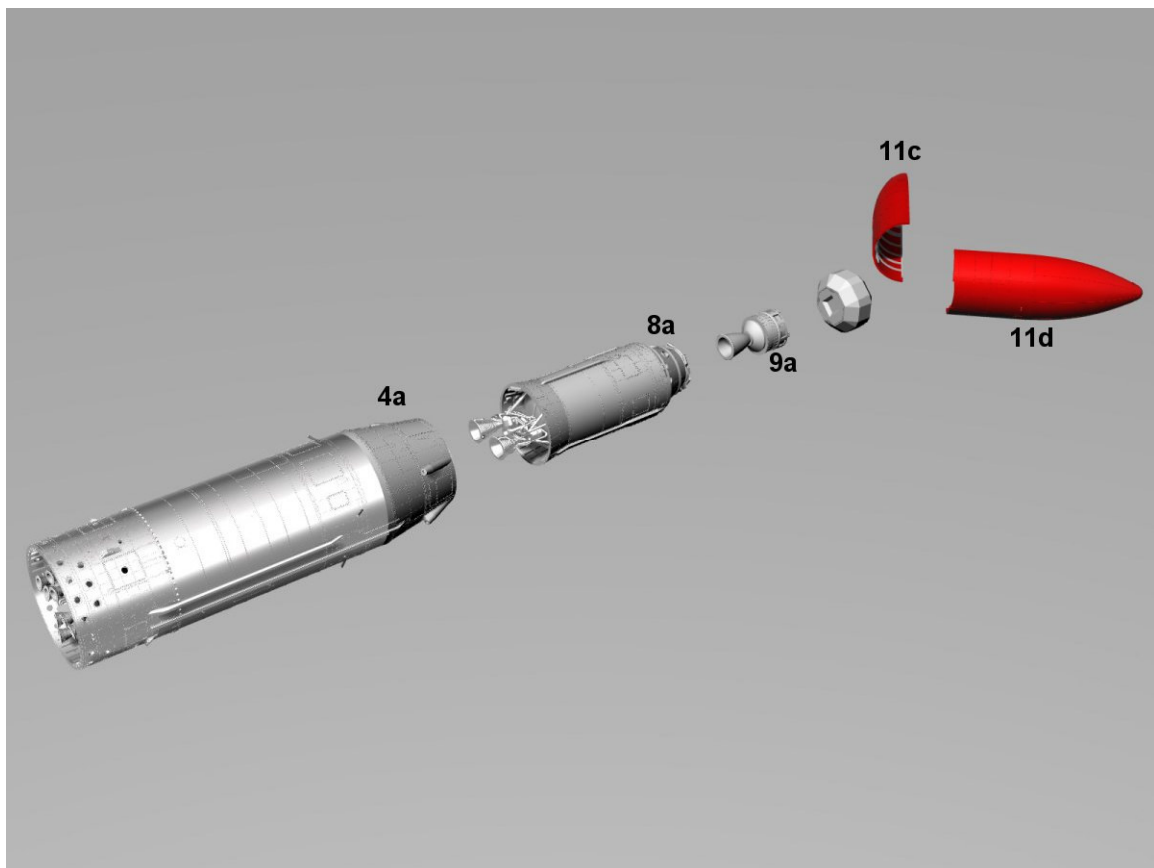
Scale 1/48

For further information on building this model check

[http://spacemodels.nuxit.net/1-48 Black Arrow/index.html](http://spacemodels.nuxit.net/1-48%20Black%20Arrow/index.html)



If you don't want a cutaway model you only have 6 parts to assemble



If you want to display your model as in the British Museum in London, you can follow the same instructions as the cutaway model but replace a few parts by those indicated above.